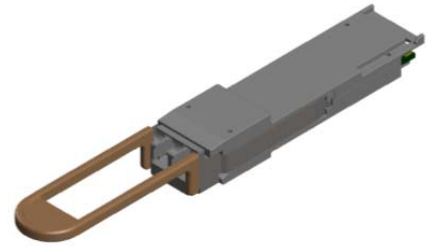


AFBR-89BDDZ

QSFP28 Pluggable, Fiber Optics Module
100 Gigabit Ethernet Applications
VCSEL PAM4 BiDi 2x50G, MMF Duplex LC
Connector



Product Brief

Description

The Foxconn Interconnect Technology AFBR-89BDDZ is a Four-Channel, Pluggable, Multi-mode, Fiber-Optic QSFP28 transceiver for 100 Gigabit Ethernet Applications. This transceiver is a high performance module for short-range data communication and interconnect applications. It integrates four host electrical data lanes in each direction at 25Gbps into two optical lanes at 50Gbps giving an aggregated bandwidth of 100Gbps. It allows optical communication up to 100m over a 2-fiber duplex LC optical multi-mode OM4 cable. The pull tab facilitates the insertion and extraction of these transceivers in high density environment. Each electrical lane operates at 25.78125 Gbps and conforms to the 100GE CAUI4 interface with host FEC turned off.

These modules are designed to operate over multimode fiber systems using nominal wavelengths of 850nm and 900nm. The electrical interface uses a 38 contact QSFP28 edge type connector. The optical interface uses a conventional 2-fiber duplex LC MMF connector. This module incorporates Foxconn Interconnect Technology proven integrated circuit and VCSEL technology to provide reliable long life, high performance, and consistent service.

Part Number Ordering

100 Gb Ethernet Transceiver	AFBR-89BDDZ
Evaluation Board*	AFBR-89EVB
Evaluation Kit**	AFBR-89EVK

* Includes GUI and User Guid

**Includes GUI, User Guide, I2C controller and Power Supply Cable

Features

- Compliant to 100GbE electrical specification 802.3bm (Annex 83E CAUI-4) with No Host FEC
- 100G Link Distances up to 70m OM3, 100m OM4, 150m OM5.
- QSFP28 MSA Specification Compliant, including new functions per SFF-8636
- Class 1 Eye Safety
- Pull Tab: Ease of Transceiver Insertion and Extraction
- +10°C to +70°C case temperature operating range
- Dual Wavelength VCSEL Bi-Directional Optical Interface, PAM4 2x50Gbps 850nm/900nm
- Proven High Reliability 850 nm and 900nm technology: Avago VCSEL transmitter and PIN detector
- Hot Pluggable QSFP28 Transceiver for Ease of Installation and Servicing
- Two Wire Serial (TWS) interface with Digital Monitoring and Maskable Interrupts for Expanded Functionality

Applications

- 100 Gigabit Ethernet interconnects
- Datacom/Telecom switch & router connections
- Data aggregation and backplane applications
- Proprietary protocol and density applications

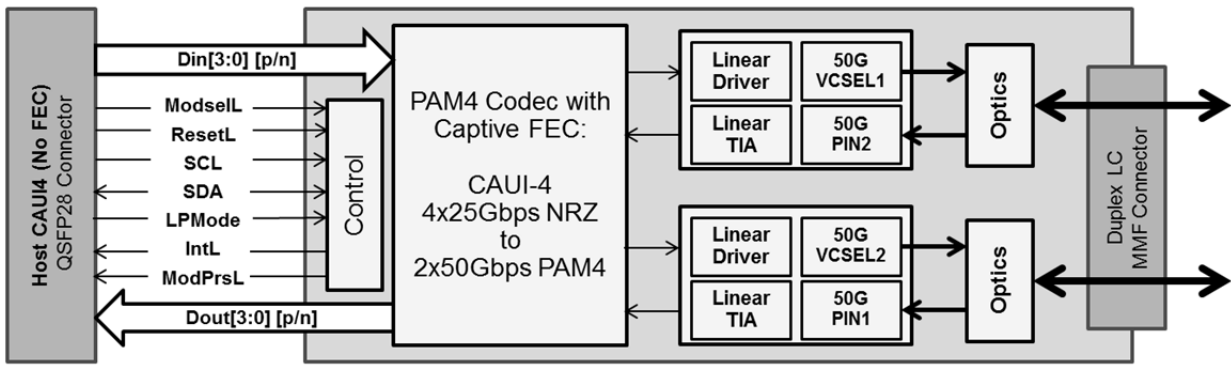


Figure 1. Transceiver Block Diagram

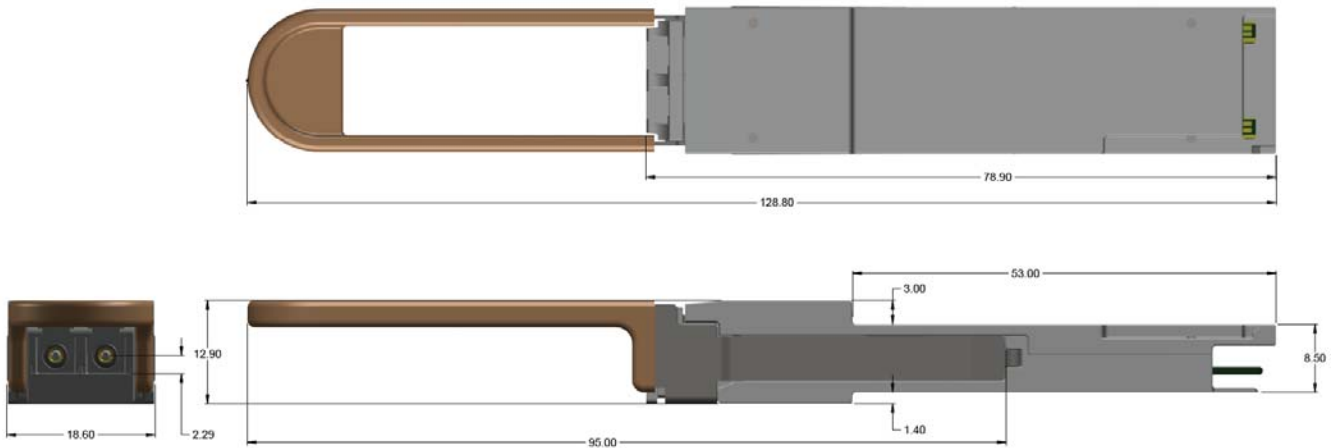


Figure 2. Mechanical Package Outline (All dimensions in mm)

Key Product Parameters

Parameter	Value	Units	Notes
Signal Rate per lane	25.78125	Gbps	802.3bm(Annex 83E CAUI-4) compliant with no Host FEC
Power Supply Voltage	3.3	V	Typical
Power Consumptions	3.5	W	Maximum
Link Length	70	m	50um OM3 MM fiber
	100	m	50um OM4 MM fiber
	150	m	50um OM5 MM fiber
Operating Temperature Range	10 – 70	°C	
Management and Diagnostic Interface	Two-Wire Serial		Per SFF-8419 Specifications
Transceiver Eye Safety	Class 1		
Electrical Connector	38 contact connector		Per SFF-8636 Specifications